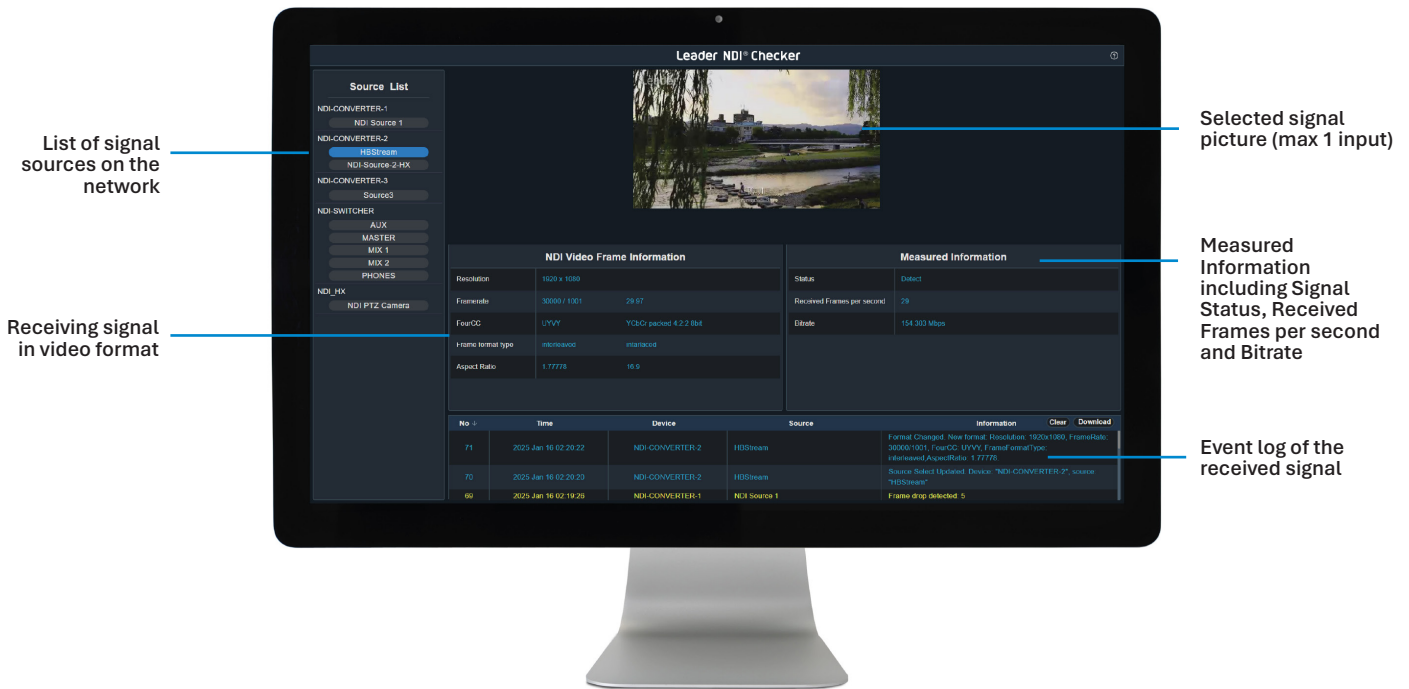


## NDI® Checker

### NDI Signal Monitoring Software



List of signal sources on the network

Receiving signal in video format

Selected signal picture (max 1 input)

Measured Information including Signal Status, Received Frames per second and Bitrate

Event log of the received signal

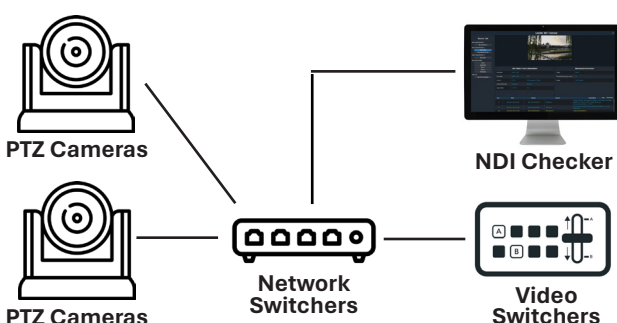
### Advanced NDI Network Monitoring and Analysis

Maintain complete visibility across your entire NDI network with our live monitoring solution optimized for broadcast and ProAV environments. Leader's NDI Checker is a new application enabling easy monitoring of NDI signals on a PC. By selecting an NDI signal source on the same network, its format, received frames and bit-rate can be monitored.

### Specifications

Component	Minimum Required
OS	Windows 11 64bit (Version 23H2 or later)
Storage	80GB or more free space
CPU	Intel Core™ i5-1135G7 or more
RAM	16GB or more
Display Resolution	1920 x 1080
Browser	Google Chrome (Version 131.0.6778.265 or later)
Network Card	1Gbps or higher
Ports Used	TCP 1337, TCP 8080
Windows Features	Windows Subsystem for Linux

### Workflow Example



### Key Features

- Display a full list of NDI signals on the network
- Select and measure the selected signal
- Simple picture display
- View the video format of the selected NDI signal
- View the number of frames received in the last second for the selected NDI signal
- Measure the bitrate of the selected NDI signal
- Event log display, with monitoring of up to 100,000 events
- CSV export for easier troubleshooting
- Windows 11 software, browser display

### Pricing & Ordering Information

Duration	Price
Trial Version - 2 weeks	FOC
1 Year Software License [FS3580_NY1 NDI Checker]	\$300
3 Year Software License [FS3580_NY1 NDI Checker]	\$700

Web: [www.leaderphabrix.com](http://www.leaderphabrix.com)

E&O - As our policy is one of continuous improvement, we reserve the right to vary details without prior notice